

搭配软件使用 DO-CAM

DO-CAM 为 UVC 相机，因此能适用于所有能读取 UVC 视频源的软件。但为充分利用你的 DO-CAM，我们建议搭配使用 IPEVO Visualizer 软件。Visualizer 提供的录像、截屏、字幕画面等多项实用功能，让你不论在教学或演示时都能如鱼得水。

若以 Skype、Zoom 或 Google Hangouts 等第三方软件连接 DO-CAM，建议同时使用 IPEVO CamControl 来调整影像旋转、曝光、对焦等基本相机设置。



IPEVO Visualizer
請至 IPEVO 官网下载。



IPEVO CamControl
請至 IPEVO 官网下载。

Safety Information

Federal Communications Commission [FCC] Statement

This device complies with Part 15 of the FCC Rules. Operation is subject to the following two conditions: [1] this device may not cause harmful interference, and [2] this device must accept any interference received, including interference that may cause undesired operation.

This equipment has been tested and found to comply with the limits for a Class B digital device, pursuant to part 15 of the FCC Rules. These limits are designed to provide reasonable protection against harmful interference in a residential installation. This equipment generates, uses, and can radiate radio frequency energy and, if not installed and used in accordance with the instruction manual, may cause harmful interference to radio communications. However, there is no guarantee that interference will not occur in a particular installation. If this equipment does cause harmful interference to radio or television reception, which can be determined by turning the equipment off and on, the user is encouraged to try to correct the interference by one or more of the following measures:

- Reorient or relocate the receiving antenna.
- Increase the separation between the equipment and receiver.
- Connect the equipment into an outlet on a circuit different from that to which the receiver is connected.
- Consult the dealer or an experienced radio/TV technician for help.

Any changes or modifications not expressly approved by the party responsible for compliance could void the authority to operate equipment.

This device and its antenna must not be co-located or operating in conjunction with any other antenna or transmitter.

For product available in the USA/Canada market, only channel 1-11 can be operated. Selection of other channels is not possible.

请避免于下列场所使用/
存放 IPEVO 产品:

安全警告

- 近热源处
- 近蒸气或油烟处
- 高湿度场域
- 沙尘集结堆积处

IPEVO

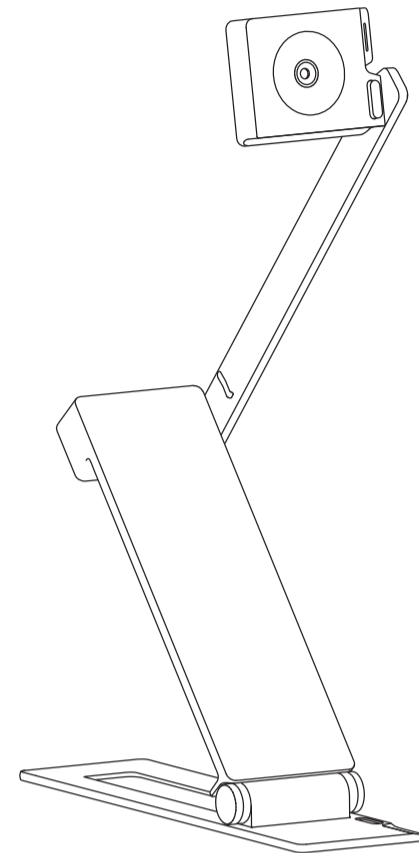
www.ipevo.com.cn

售后服务和支持

保固信息请见官网说明: <http://www.ipevo.com.cn>
客服信箱: cs@ipevo.com

Copyright© 2022 IPEVO Corp. 保留所有权利

IPEVO



DO-CAM 视讯协作摄影机 产品说明书

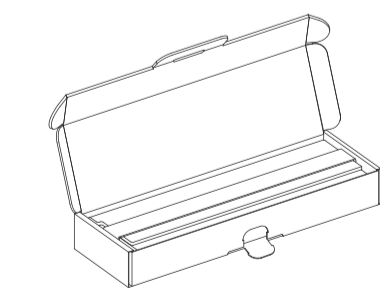
产品信息

- 产品名称: DO-CAM 视讯协作摄影机
- 型号: CDVU-09IP
- 尺寸: 22.0 x 6.3 x 2.2 厘米 (折叠)
- 重量: 335 克 (不含包装)
420 克 (含包装)
- 主要材质: PC + ABS (工程塑料合金)、
锌合金
- 包装内容: DO-CAM、产品说明书

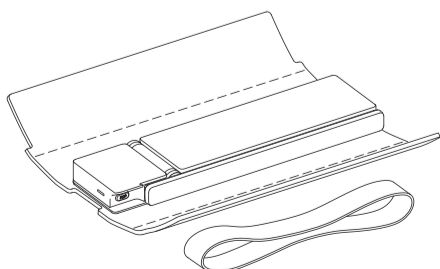
产品功能

简单通过 USB 连接电脑，便能利用 IPEVO DO-CAM 捕捉并投影即时影像。轻量可折式设计便于携带，灵活可调支架及镜头，让你随心所欲调整至所需的高度、角度，以捕捉最佳影像。

开箱 DO-CAM



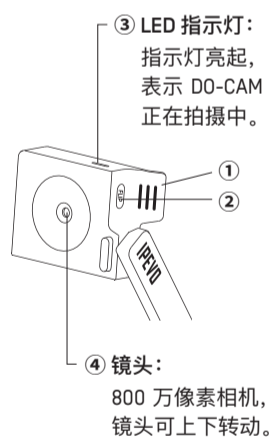
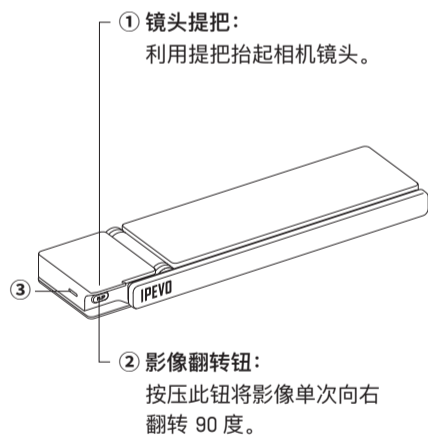
1. 打开包装，取出 DO-CAM。



2. 拆下弹力带及填充泡棉。

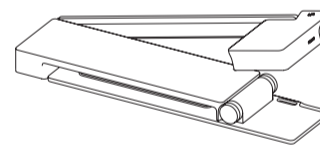
*建议保存弹力带及泡棉，以便于携带时确保 DO-CAM 的安全性及密封度。

使用指南

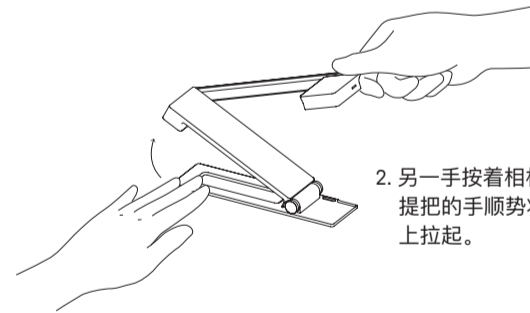


相机设置与连接

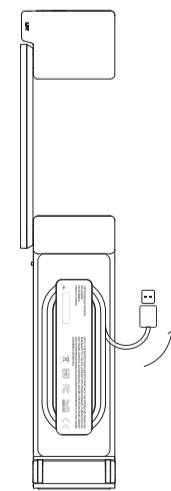
DO-CAM 的随插即用设计，让你简单几步，便能完成 DO-CAM 的设置。



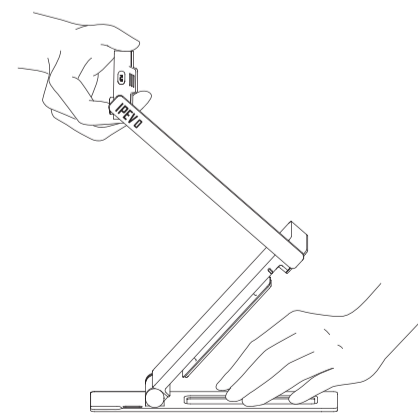
1. 使用镜头提把抬起 DO-CAM 镜头。



2. 另一手按着相机底盘，拉着提把的手顺势将 DO-CAM 向上拉起。



3. 解开机身下收纳的 USB 线，并插入电脑 USB 孔中 (适用于 Mac、PC 及 Chromebook)。



4. 调整机身、支架或/及镜头将 DO-CAM 架设至适当位置。至此，一切设置完毕。

